

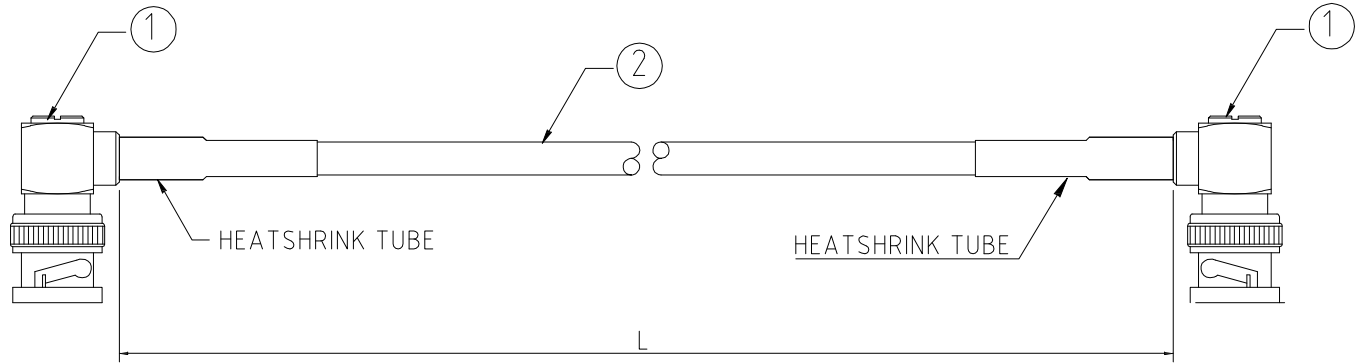
CABLE 134 RF: RF CABLE ASSEMBLY, BNC RIGHT ANGLE PLUG + RG58A/U CABLE + BNC RIGHT ANGLE PLUG

SPECIFICATIONS:

1. BNC R/A PLUG, P/N: C15DA37058A02-Z
2. RG58A/U COAXIAL CABLE, COLOR: BLACK

NOTES:

1. THE ORIENTATION OF CONNECTORS ON DRAWING IS FOR REFERENCE ONLY, IF THE ORDER CODE IS LEFT BLANK THE CONNECTOR WILL NOT HAVE FIXED ORIENTATION.
2. FIXED ORIENTATION IS POSSIBLE FOR CABLE LENGTH 50MM TO 220MM. PLEASE SPECIFY THE FIXED ORIENTATIONS FROM THE ORDER CODE (F1, F2, ETC)
3. CONTACT GRAD CONN IF THE ORIENTATION YOU REQUIRE IS NOT SHOWN.
4. WORKING FREQUENCY RANGE: DC-1GHz.



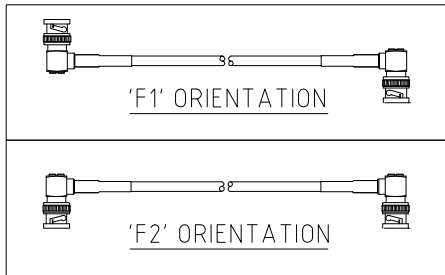
HOW TO ORDER

CABLE 134 RF - XXXX - XX - 0

"L" LENGTH IN MM  
 eg: 100MM = 0100  
 (MIN. = 0050, MAX. = 2000,  
 STANDARD = 0100, 0150, 0200)  
 Tolerance: <50mm : ±2mm.  
 51-200mm: ±5mm.  
 201-500mm: ±7mm.  
 >500mm: ±10mm.

CABLE SIZE OPTIONS:  
 0 = RG58A/U CABLE, COLOR: BLACK

ORIENTATION OPTIONS:  
 BLANK = DOES NOT HAVE A FIXED ORIENTATION  
 F1 = OPPOSITE ORIENTATION (L=50-220MM)  
 F2 = SAME ORIENTATION (L=50-220MM)  
 (SEE NOTES 1, 2, 3 AND DIAGRAMS FOR MORE INFORMATION)



REV. DATE & DRN  
 T0 28/03/12 - NYW RELEASE  
 11 18/02/13 - NYW  
 ADD NOTE 4

Scale: NTS	THIRD ANGLE	Unstated .X ±0.2 .XX ±0.1 .XXX ±0.05 ANGLES ±5	Material SEE NOTE
Drawn: NYW			
App'd: XXX	Title CABLE ASSEMBLY	NOT TO SCALE	
Date: 18 FEB. '13	Revision: 1.1	Unit: mm	



THIS DRAWING IS CONFIDENTIAL AND MUST NOT BE COPIED OR DISCLOSED WITHOUT WRITTEN CONSENT

Type: Cable 134 RF
CABLE 134 RF
Drawing Number:
Sheet 1 of 1
Drawing © E and O E